



Your Source for Automation Components

1500 Volt, 400 Amp, PV DC Isolation Switch BH-400 Series

Description:

BH-400 DC disconnect switch is designed and developed of solar PV inverter, combiner box or any DC equipments build-in according to UL98B. The DC load break switches provide safety isolation for one DC circuit up to 1500V DC 400A.

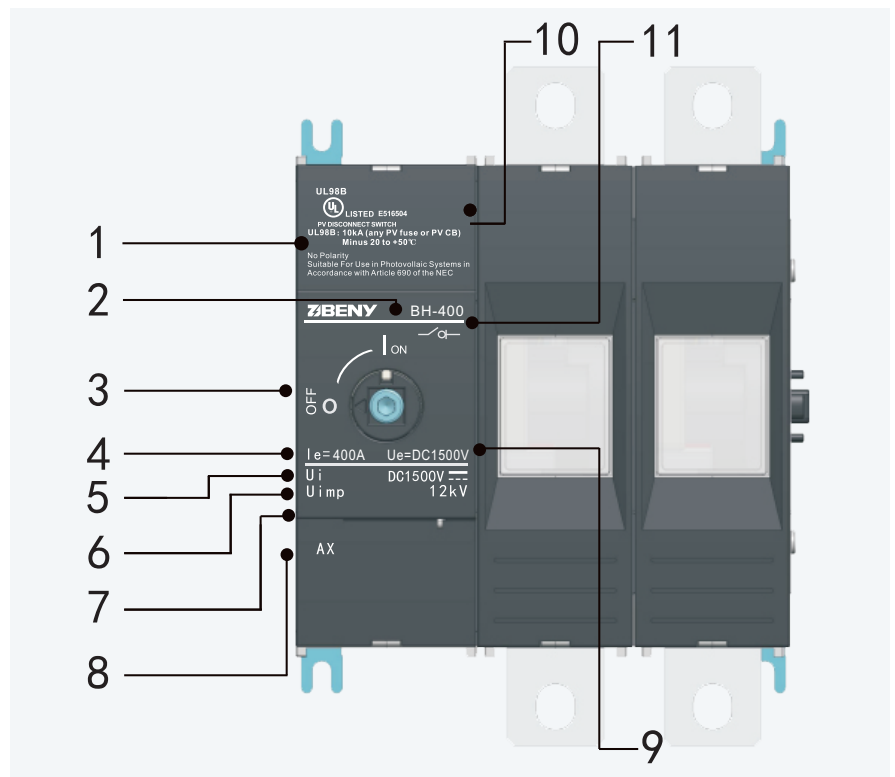
Hight Capacity 10KA for 50ms test and patented DC are extinguishing chamber ensure fast disconnection and reliable operation for longer working life.



Appearance Introduction

UL98B

- 1 Brand
- 2 Model
- 3 On-Off
- 4 Rated Current
- 5 Nominal Insulation Voltage
- 6 Rated Withstand Voltage
- 7 Utilization Category
- 8 Auxilliary Contact
- 9 Rated Voltage
- 10 Certificate Mark
- 11 Electrical Symbol



Type Instruction

BH	-	400	-	2P	-	400A	-	A	-	AX
↓		↓		↓		↓		↓		↓
Model		Max Current		Pole		Rated Current		Assembling way		Auxiliary contact
PV DC Isolation Switch		400A		2P		<input type="checkbox"/> 320A <input type="checkbox"/> 400A		<input type="checkbox"/> Blank <input type="checkbox"/> A <input type="checkbox"/> B <input type="checkbox"/> A1		<input type="checkbox"/> without <input type="checkbox"/> with

Parameter




Electrical Characteristics

Rated Working Voltage	Ue	1000V / 1500V
Rated Current	Ie	320A / 400A
Rated impulse withstand voltage	Uimp	12kV
Rated short-time withstand current	Icw	10kA/50ms
Rated short-circuit making capacity	Icm	10kA/50ms
Rated conditional short-circuit current(kA)		10kA

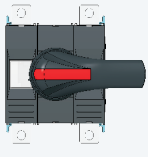
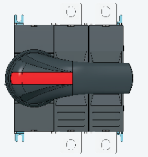
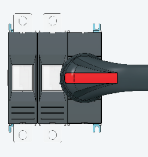
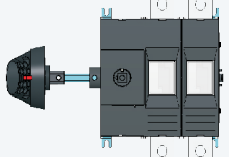
Installation Environment

Number of cycles of operation(With current)	400
Number of cycles of operation(Without current)	5000
Pole	2
Mounting	Base Screws Mounting
Screws for mounting(M5)	2.0N·m ~ 3.0N·m
Wiring Screw(M10)	15N·m ~ 20N·m
Ambient temperature allowed between	-40°C ~ +85°C
Storage temperature allowed between	-40°C ~ +85°C
Relative Humidity	90%
Pollution degree	3
IP rating terminals	IP20
Outside the ark handle	IP65

Wiring Graph

Model	Wiring Graph	Ue rated operational voltage DC Volts	Rated operational current	Poles in series	Number of Strings
BH-400-2P 		1000V/1500V	320A/400A	1	1
	Example				
					

Product Selection

Model	Front Operation			The Side operation
	BH-400-2P	BH-400-2P-A	BH-400-2P-B	BH-400-2P-A1
BH-400-2P				

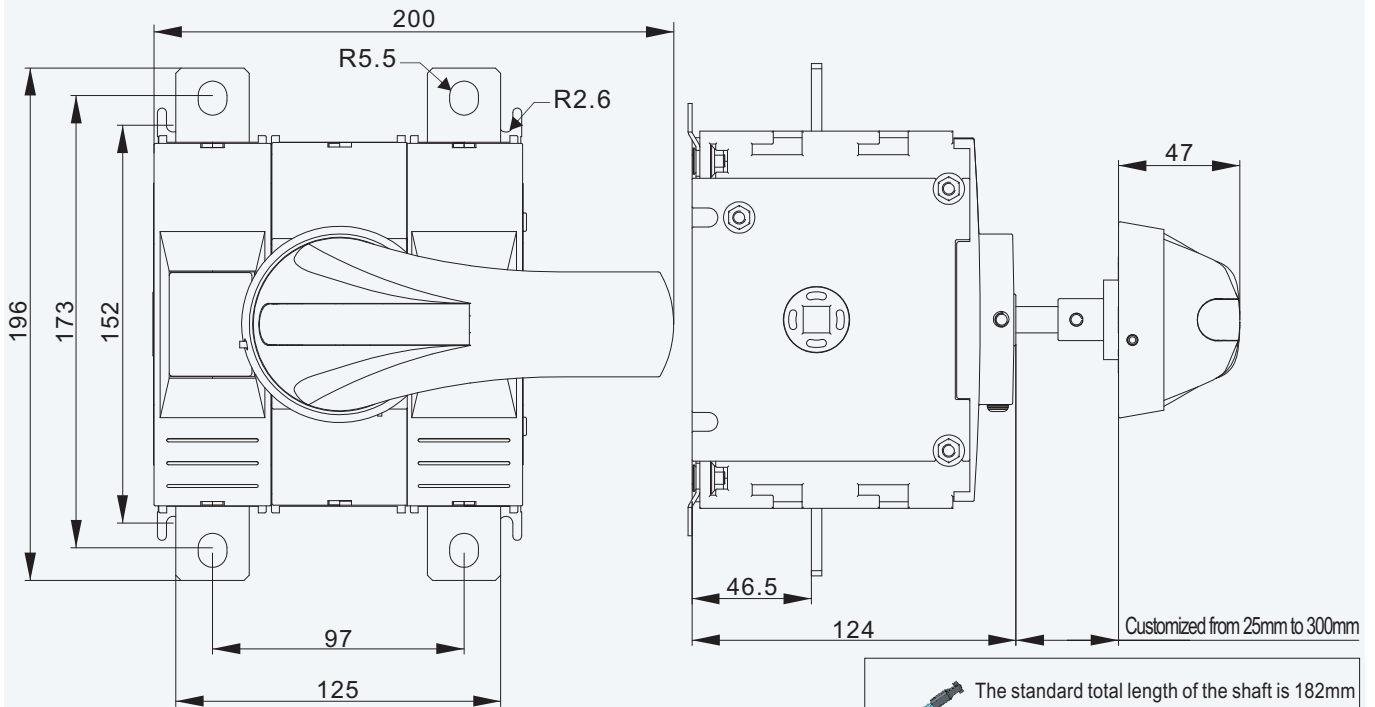



Your Source for Automation Components

1500 Volt, 400 Amp, PV DC Isolation Switch BH-400 Series

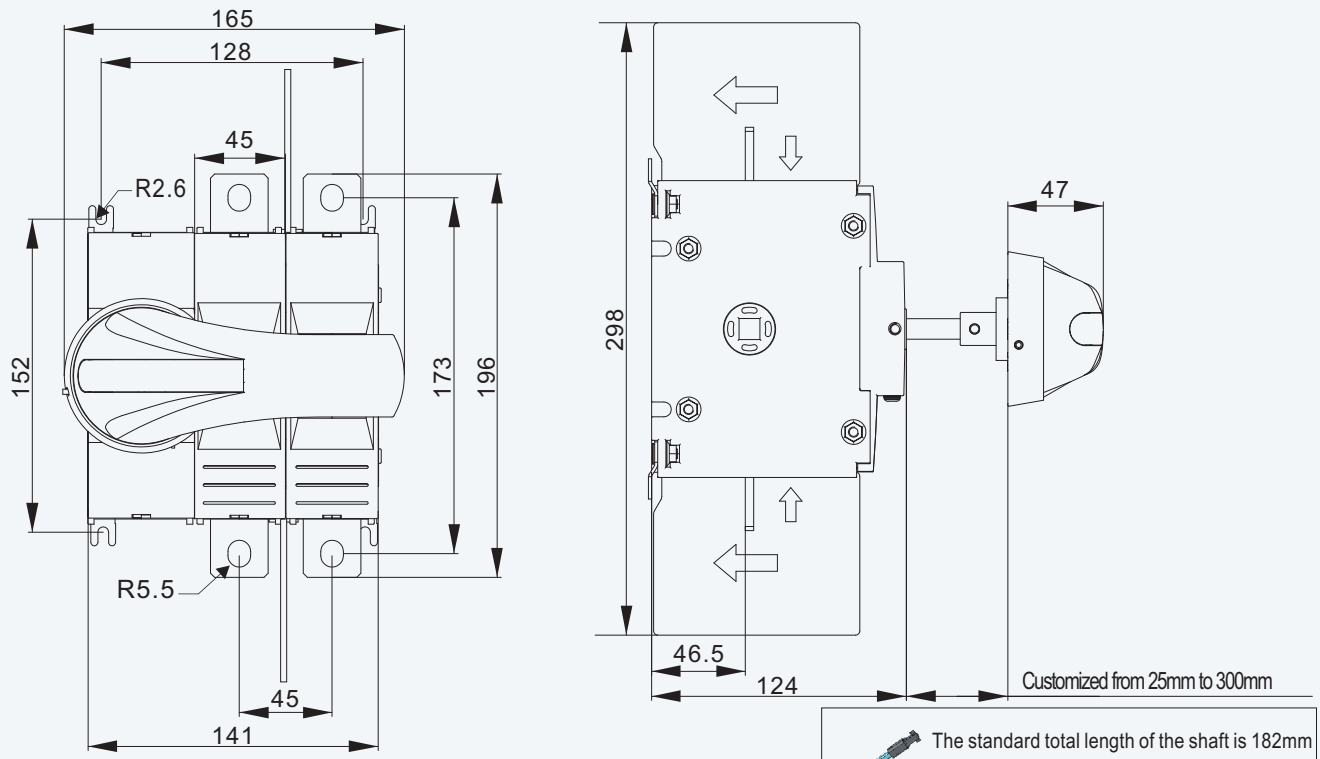
Dimensions (mm)


BH-400-2P



 The standard total length of the shaft is 182mm
The minimum total length of the shaft is 80mm

BH-400-2P-A



 The standard total length of the shaft is 182mm
The minimum total length of the shaft is 80mm

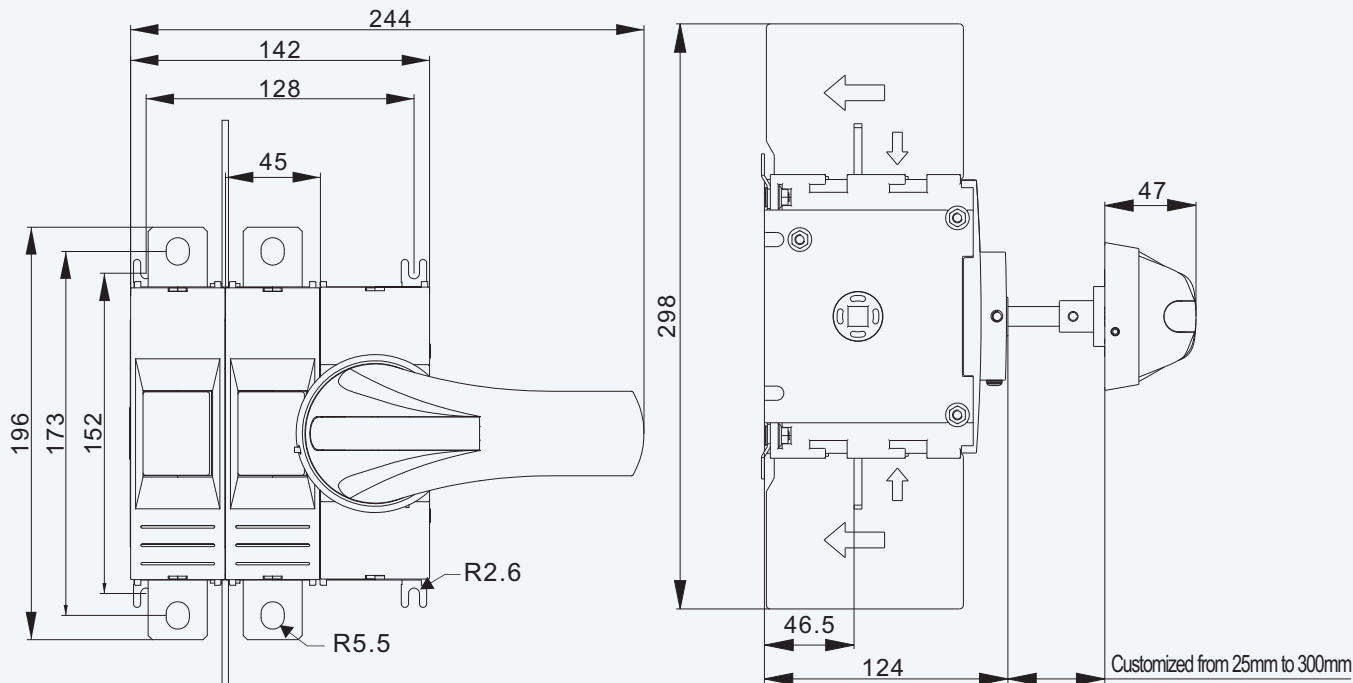



Your Source for Automation Components

1500 Volt, 400 Amp, PV DC Isolation Switch BH-400 Series

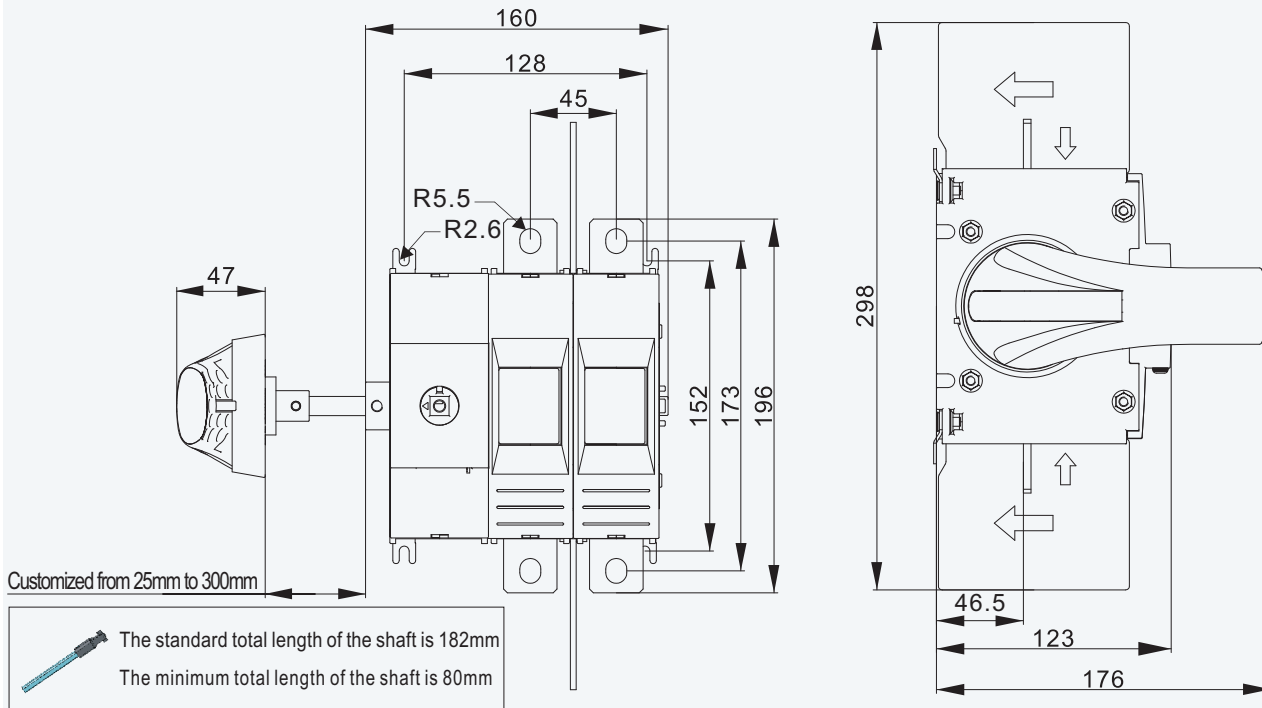
Dimensions (mm)


BH-400-2P-B



 The standard total length of the shaft is 182mm
The minimum total length of the shaft is 80mm

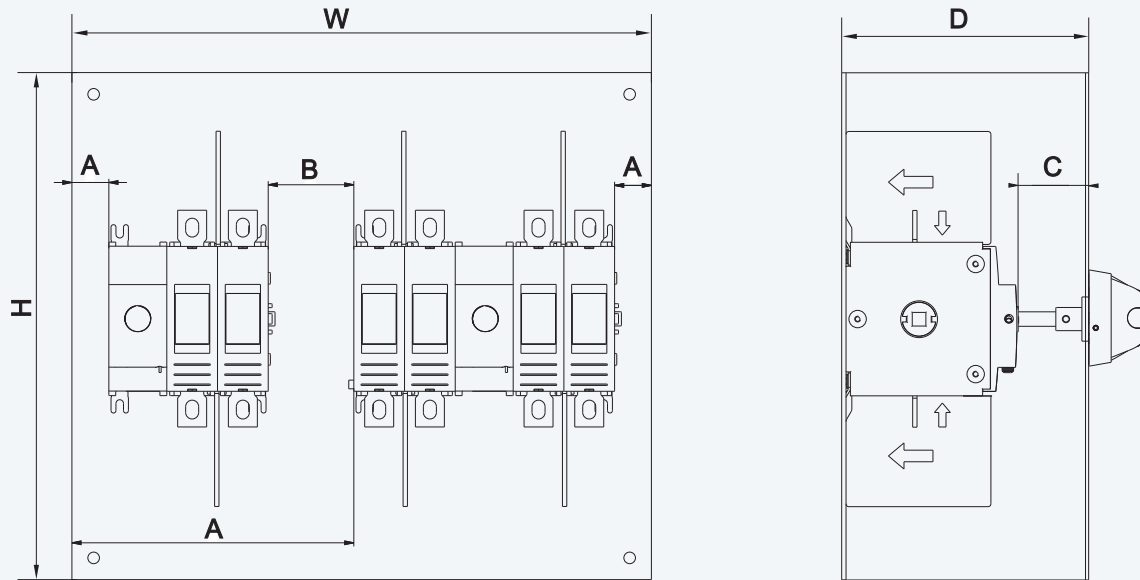
BH-400-2P-A1



 The standard total length of the shaft is 182mm
The minimum total length of the shaft is 80mm

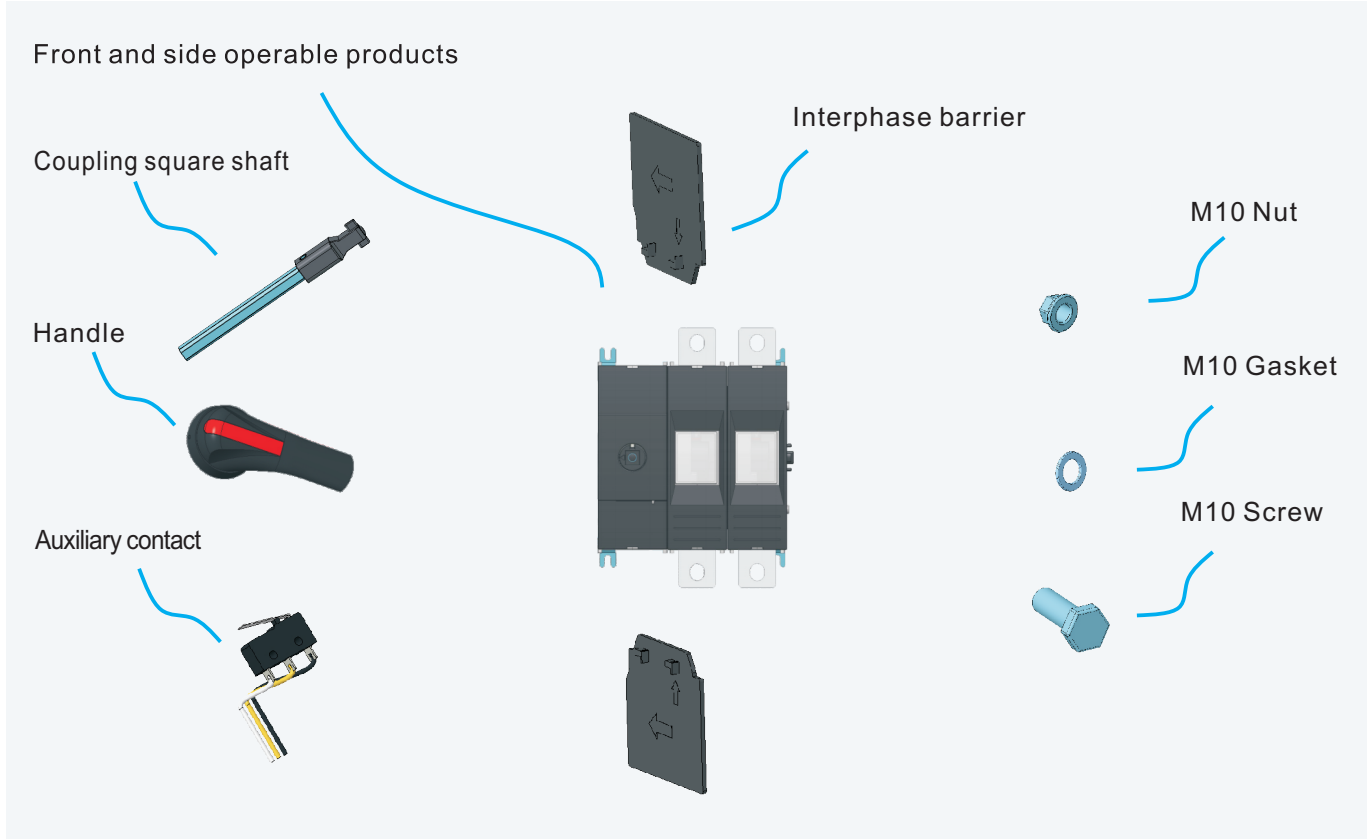
Dimensions (mm)

Minimum enclosure dimensions UL98
 Dimensions minimum des coffrets UL98B
 Dimensiones minimas de las cajas UL98B



Minimum enclosure size		Size
H × W × D		400mm × 350mm × 180mm
Clearance		Size
A min.		25.4mm
B min.		50.8mm
C min.		22mm

Switches and accessories



Accessory

Name	The attachment list
standard configuration	<input checked="" type="checkbox"/> Handle
	<input checked="" type="checkbox"/> Coupling square shaft (The standard length is 182mm)
	<input checked="" type="checkbox"/> Interphase barrier
	<input checked="" type="checkbox"/> M10 Binding kits
	<input checked="" type="checkbox"/> Specification
apolegamy	<input type="checkbox"/> Auxiliary contact
	<input type="checkbox"/> Coupling square shaft Custom length _____ mm

Derating Data

Derating Temperature							
Type	Tem Current	1500VDC16A4PPV2					
		-40°C ~ +60°C	+65°C	+70°C	+75°C	+80°C	+85°C
BH-400		400A	395A	390A	385A	380A	375A

Derating Altitude				
Altitude	2000m	3000m	4000m	5000m
Power frequency withstand voltage	3820VDC	3820VDC	3820VDC	3820VDC
Isolation voltage	1500VDC	1500VDC	1500VDC	1500VDC
Working current	400A	400A	380A	370A
Working voltage	N/A			

Installation and use

The connecting conductor shall be copper conductor or equivalent copper row. The sectional area shall be selected according to the table

Rated current (A)	320A	400A
The area of a wire or copper conductor mm ²	185mm ²	240mm ²