



The LB-FS100-WAAA LED Flood Light is a compact, high-efficiency lighting solution ideal for indoor or outdoor accent, security, or area lighting applications. Rated between 5W and 20W, it combines durable materials, excellent thermal management, and flexible photometric options to deliver long-lasting, reliable illumination in a wide range of environments.

Key Features:

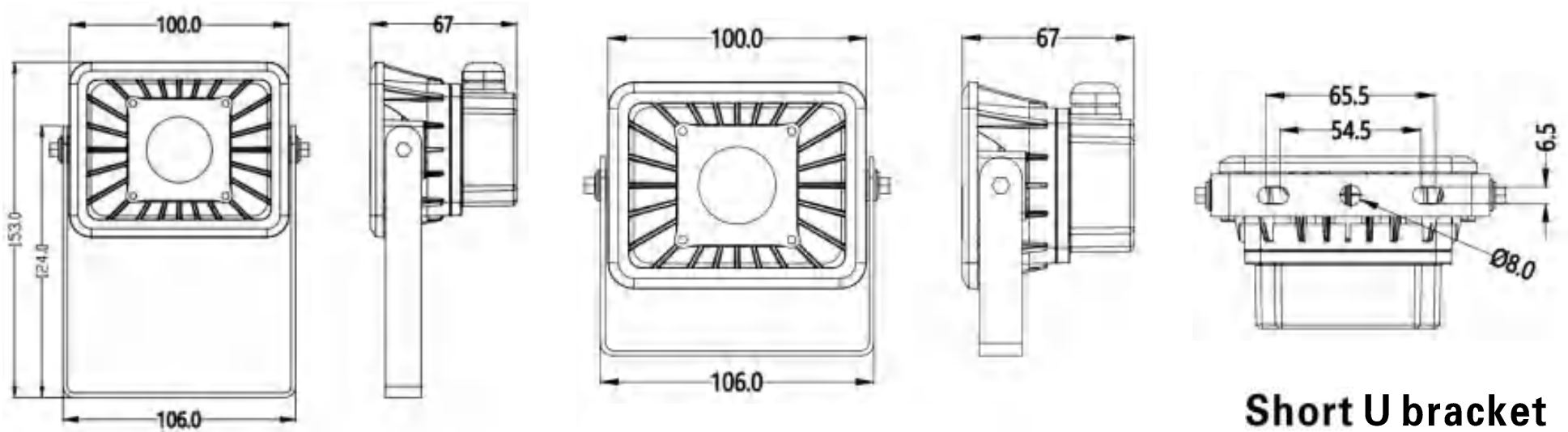
- Selectable 5W–20W Power Range – Delivers efficient illumination up to 160 lm/W for versatile lighting needs
- Die-Cast Aluminum Housing – Provides superior heat dissipation and long-lasting durability.
- Toughened Glass Lens – Resists dust, corrosion, and weathering for reliable performance outdoors
- IP65 Weatherproof Rating – Ensures protection against dust and water in demanding environments.
- Beam Angle Flexibility – Customizable optics with options such as 20° or 100° for targeted or wide coverage.
- UL, CE & RoHS Certified – Meets international safety and performance standards.



Product Details

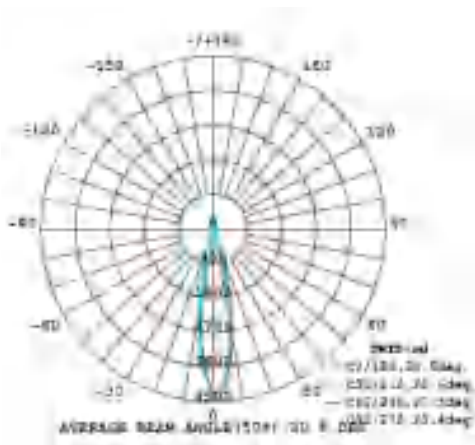
Keyword:	LED flood Light	Working Temperature(°C):	35~60
Model Number:	LB-FS100-WAAA	storage temperature	-30°C~+50°C
power range	5~20W	main material of Housing	Die-cast of Aluminum and glass lens
power factor	>0.95	IP Rating:	IP65 Waterproof
Color Temperature(CCT):	3000k-6500k optional	Place of Origin:	China
LED type	SMD3030 or COB	Brand Name:	lighting best or customize
LED Chip Brand:	Cree/Philips/Osram/ others	Application:	warehouse, factory, machine, landscape, advertising lighting
Luminous Efficiency(lm/w):	max160LM/W(when CCT6000K)	Warranty	5-Year
Extra function optional /Smart Functions:	N/A	CCT available	3000K/4000K/5000K/5700K/6500K
support customize	yes	Beam angle:	20°/100°
CRI (Ra>):	70~90 optional	Driver Brand:	Meanwell/so sun/others
Input Voltage(V):	AC100~277V/50/60HZ	certificate	CE, Rohs, UL
packing size	for short bracket:120x95x100 for long	N.W./G.W.	0.45/0.55 (kg)

Dimension Drawings

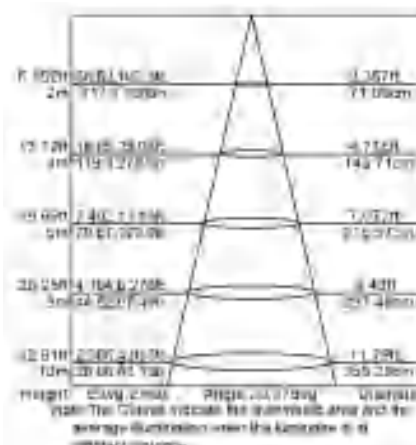


Short U bracket

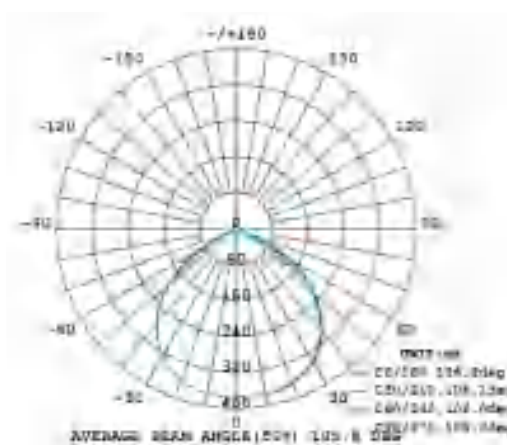
2 Optical Parameter and Lights Distributor Curve



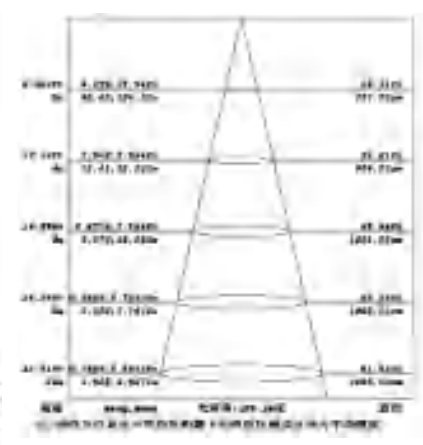
beam angle:20°



when power:10W



beam angle:100°



when power:10W