

The SB0324B110AL6 32 Amp Enclosed Disconnect Switch features a 3+N pole design with a 90° ON-OFF switching angle, providing safe and reliable motor isolation. Encased in a durable ABS thermoplastic enclosure with IP65 protection, it includes positive opening double-break silver alloy contacts, a yellow 48x48mm plate with red padlockable knob (up to 3 padlocks). Front-drive operation with cover interlock in the "ON" position ensures added safety, while four-screw (80x98mm) mounting offers secure installation. Rated for 32A operational and thermal current and 690V insulation voltage, it is ideal for demanding industrial applications.

**Key Features:**

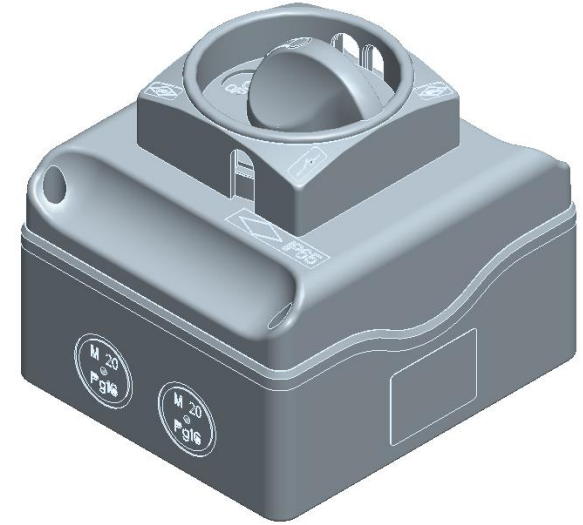
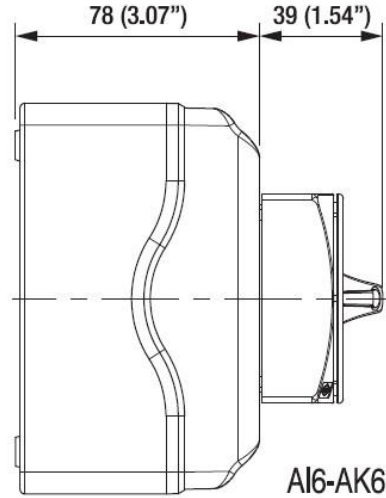
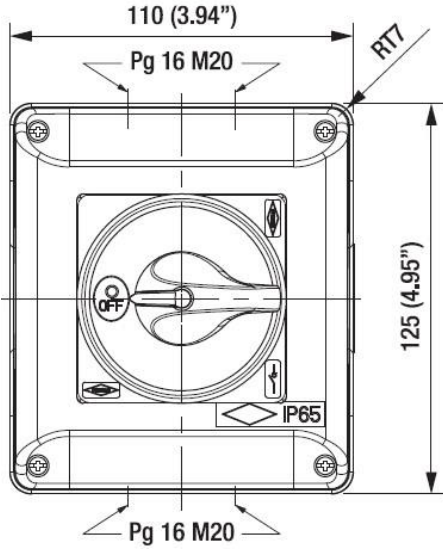
- ON-OFF 3+N
- ABS double insulation thermoplastic enclosure
- Rated operational current  $I_n$ : 32A
- Rated thermal current  $I_{th}$ : 32A
- Rating insulation voltage: 690V
- Positive opening double break contacts, silver alloy made
- Yellow plate 48x48mm and red padlockable knob (max. 3 padlocks)
- Switching angle: 90°
- Cover interlock in "ON" position
- Front drive
- IP65 Protection degree
- Fixing enclosure: 4 screw at 80x98mm



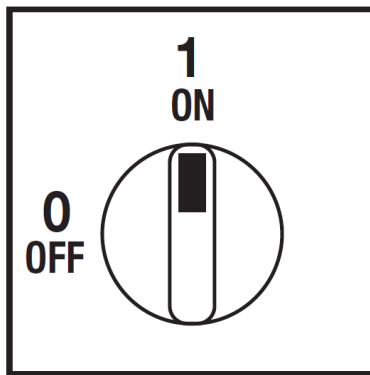
Technical Data IEC 947-3 EN 60947-3				
Rated insulation voltage		$U_i$	V	800
Rated operating voltage		$U_e$	V	800
Rated impulse withstand voltage		$U_{imp}$	kV	8
Rated thermal current for open switch		$I_{th}$	A	32
Rated thermal current for enclosed switch		$I_{the}$	A	32
Rated operation frequency			Hz	50/60
Power dissipation for each pole			W	1,3
Rated operating current $I_e$				
AC-21A Switching resistive loads, including moderate overloads	690V		$I_e$	A 32
AC-22A Switching of mixed resistive and inductive loads, including moderate overloads	690V		$I_e$	A 32
Rated operating power				
AC-23A Switching of motor loads or other highly inductive loads	400V		$K_w$ (A)	11 (22)
	690V		$K_w$ (A)	11 (16)
AC-3 Squirrel cage motors: starting, switching off motors during running	400V		$K_w$ (A)	7,5 (14)
	690V		$K_w$ (A)	7,5 (8)
Rated breaking capability in category AC-23A ( $\cos \varphi=0,45$ )	400V		A	176
	690V		A	128
Short circuit protection				
Rated short time withstand current (1s)		$I_{cw}$	A	400
Rated short-circuit make capacity		$I_{cm}$	A	750
Rated conditional short-circuit current			kA	10
With fuses class gG	500V		A	32
Technical Data IEC 947-3 EN 60947-3				
General use voltage		$U_e$	V	600
General use current	600V AC		$I_e$	A 30
Rated operating power				
1 phase - 2 pole	120V		Hp/FLA	1,5 / -
	240V		Hp/FLA	3 / -
3 phase - 3 pole	200V		Hp/FLA	- / -
	240V		Hp/FLA	7,5 / 22
	480V		Hp/FLA	15 / 21
	600V		Hp/FLA	20 / 22
Standards Line protection fuses (DS size 1: Class RK5, 600Vac, 200kA A.I.C.), (DS size 2: Class J, 600Vac)			A	30
Short Circuit Rating@600Vac			kA	5

**Drawings**

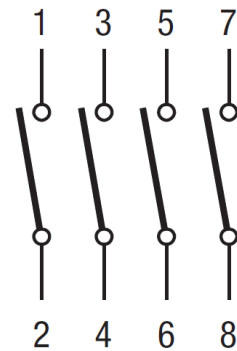
**Dimensions**



**Plate and position**



**Electrical scheme**



**Drilling templates**

