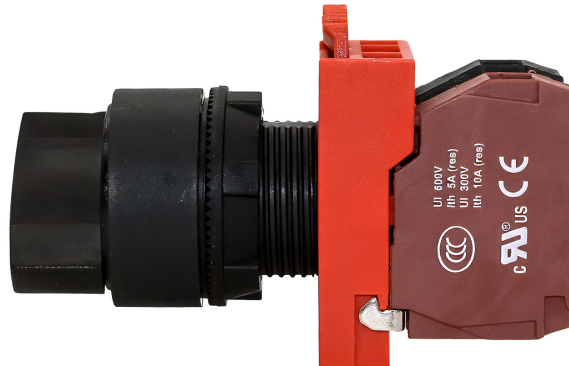




The ASI-D100-HSS2 is a 2-position selector switch designed for dependable manual control in industrial automation and control panel applications. Featuring one normally open (1NO) and one normally closed (1NC) contact, it provides flexible control logic for start/stop or on/off functions.

Built for durability and consistent performance, this selector switch offers smooth operation, clear position indication, and easy panel mounting—making it ideal for OEMs and panel builders.



Key Features:

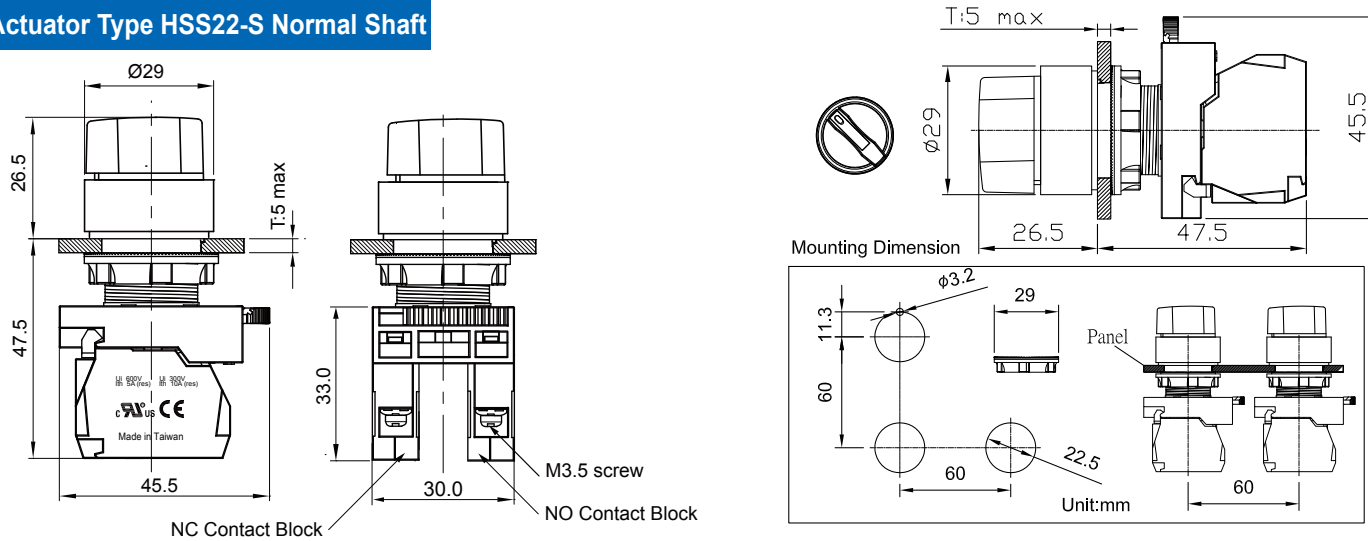
- 2-Position Operation – Ideal for On/Off or Start/Stop control
- 1 Normally Open (1NO) Contact
- 1 Normally Closed (1NC) Contact
- Positive Selector Action – Smooth, precise switching
- Industrial-Grade Construction – Long service life in demanding environments
- Panel Mount Design – Simple integration into control enclosures
- Compact & Space-Efficient – Maximizes usable panel space
- UL Listed

Product Details

Standard	CE RoHS REACH							
	EN60947-1;2007 EN60947-5-1;2004+A1 EN60947-5-5;1997+A1							
Ratings								
Rated frequency f	Hz	50/60						
Thermal current Ith	A	10						
Enclosed Thermal current Ithe	A	10						
Utilization category	-	AC-12		AC-15		DC-12		
Operational Voltage Ue	V	480	600	120	240	120	240	480
Operational Current Ie	A	1.5	1.2	5	3	2.2	0.6	0.4
Conditional short-circuit current	A	1000						
Kind of SCPD	-	Fuse						
Rating of SCPD	A	10A gG						
Insulation Voltage Ui	V	600						
Mechanical datas								
Type of terminals	-	M3.5						
Tightening torque	Nm	0.8						
Further specifications								
IP-enclosure	-	IP 56						
Standard	UL US							
Mode	Type	Electrical Ratings						
HSS22-S2	Selector Switch, no light	Contact: NO/NC 600V, 5A Resistive NO/NC 300V, 10A Resistive						
Safety reliability level	B10d = 100000 cycles with nominal load conforming to EN/ISO 13649-1							

Drawings

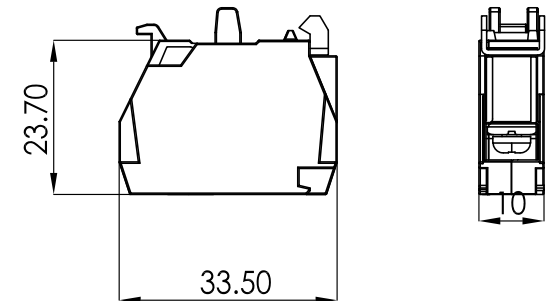
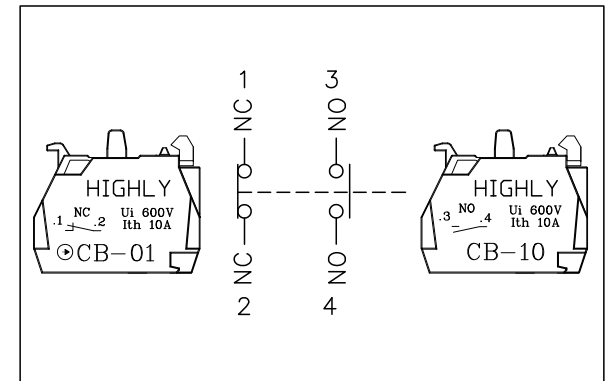
Actuator Type HSS22-S Normal Shaft



Contacts



Contact Structure



Key Features:

- Modular NO (CB-10) and NC (CB-01) contacts
- Rated 600V insulation voltage (Ui)
- Rated 10A thermal current (Ith)
- Designed for reliable switching in industrial control circuits
- Supports customized control logic expansion
- Durable construction for consistent long-term performance