



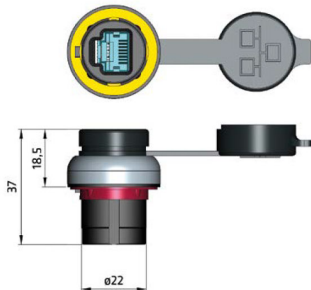
RJ45 DOUBLE SOCKET

- ➔ RJ45 connector in a standard 22 mm diameter block "plug & play".
- ➔ It makes possible to bring the Ethernet networks trough an electrical panel without open it.
- ➔ The protection rubber cap integrated remains joined to the device to avoid to be lost and prevents any water or dirt from penetrating inside.



Marking

BLACK LINE	NICKEL LINE
PP2RJ45BL	PP2RJ45NL



TECHNICAL DATA	
Connection	RJ45
Protection degree	IP67 (IEC 60529)
Ambient temperature	-25°C +75°C
Standard reference	IEC 60947-1, IEC 60947-5-1, IEC 60204-1, EN 60947-1, EN 60947-5-1, EN 60204-1
Directive reference	Low voltage directive 2006/95/EC, Machinery directive 2006/42/EC and EMC directive 2004/108/EC.



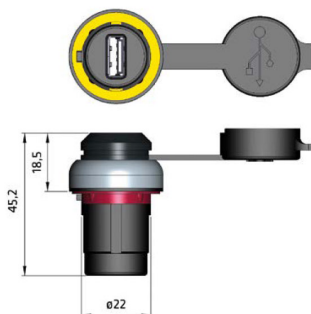
USB 2.0 & 3.0 DOUBLE SOCKETS

- ➔ USB socket in a standard 22 mm diameter block "plug & play".
- ➔ It makes possible to transfer data and electricity through an electrical panel without open it.
- ➔ The protection rubber cap integrated remains joined to the device to avoid to be lost and prevents any water or dirt from penetrating inside.



Marking

BLACK LINE	NICKEL LINE
PP2USB20BL	PP2USB20NL
PP2USB30BL	PP2USB30NL



TECHNICAL DATA	
Connection	USB 2.0 - USB 3.0
Protection degree	IP67 (IEC 60529)
Ambient temperature	-25°C +75°C
Standard reference	IEC 60947-1, IEC 60947-5-1, IEC 60204-1, EN 60947-1, EN 60947-5-1, EN 60204-1
Directive reference	Low voltage directive 2006/95/EC, Machinery directive 2006/42/EC and EMC directive 2004/108/EC.

USB 2.0

The USB 2.0 socket takes advantage of the standard data transfer speed. It's the most frequently used on the market and furthermore this option offersthe best value for money.

USB 3.0

The USB 3.0 is the latest generation of data transfer on the market. This solution offer the maximum data transfer speed and the socket is backward compatible with previous USB connectors.