

Fuse holders UL Recognized



Order code	Pole arrangement	Status indicator	DIN size	Qty per pkg	Wt [kg]
			n°	n°	[kg]

For 10x38mm fuses.
IEC 32A rated current at 690VAC.

FB01F1P	1P	—	1	12	0.066
FB01F1PL	1P	YES	1	12	0.065
FB01F1M ^①	1P+N	—	1	12	0.062
FB01F1N	1P+N	—	2	6	0.134
FB01F2P	2P	—	2	6	0.132
FB01F3P	3P	—	3	4	0.188
FB01F3N	3P+N	—	4	3	0.260

For 14x51mm fuses.
IEC 50A rated current at 690VAC.

- ① Not certified cURus.
- ② Use with gG/aM class 125A fuses, not dissipating more than 12W power.

NOTE:
For FB01 F type: UL Recognized as "Fuseholders - Component".
Current rating: 30A. Voltage rating: 750V max. CSA certified as "Fuseholder Assemblies". Current rating: 30A. Voltage rating: 600V max.
For FB02 A type: UL Recognized as "Fuseholders - Component".
Current rating: 50A. Voltage rating: 750V max.
For FB03 A type: UL Recognized as "Fuseholders - Component".
Current rating: 100A. Voltage rating: 750V max.

Operational characteristics

- IEC rated voltage Un: 690VAC
- IEC rated current In:
 - FB01F: 32A
 - FB02A: 50A
 - FB03A: 100A^②
- IEC utilisation category:
 - FB01F: AC22B 500V, AC21B 690V
 - FB02A: AC22B 500V, AC21B 690V
 - FB03A: AC21B 690V
- Suitable for IEC fuse class: gG and aM
- IEC degree of protection: IP20.

Certifications and compliance

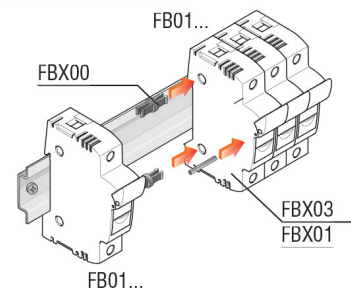
Type	CSA certified (File 252040 class 3211)	UL Recognized for USA and Canada (cURus - File E343395)
FB01F...	●	●
FB02A...	—	●
FB03A...	—	●

- Certification obtained.

cURus - "UL Recognized": Products having this type of marking are intended for use as components of complete workshop-assembled equipment.

Certifications obtained: EAC.
Compliant with standards: IEC/EN/BS 60269-1, IEC 60269-2, IEC/EN/BS 60947-1, IEC/EN/BS 60947-3, UL 4248-1, UL 4248-4, CSA C22.2 n°4248.1, CSA C22.2 n°4248.4.

Fuse holder combinations



Fuse holders UL Listed and CSA Certified for class CC fuses for the North American market



FB01G...

FB01G1PL

Order code	Pole arrangement	Status indicator	DIN size	Qty per pkg	Wt
			n°	n°	[kg]

For 10x38mm fuses.
IEC 30A rated current at 600VAC.

FB01G1P	1P	—	1	12	0.070
FB01G1PL	1P	YES	1	12	0.072
FB01G2P	2P	—	2	6	0.140
FB01G3P	3P	—	3	4	0.210

NOTE: UL Listed and CSA certified as "Fuseholders, Cartridge Fuse" for use with Class CC fuses. Interrupting rating 200,000 Amps rms symmetrical. Voltage rating 600V. Current rating 30A.

Operational characteristics

- IEC rated voltage Un: 600VAC
- IEC rated current In: 30A
- IEC utilisation category: AC22B 500V, AC21B 690V
- Suitable for UL/CSA fuse class: CC
- IEC degree of protection IP20.

Certifications and compliance

Certifications obtained: UL Listed for USA (UL - File E343395) and CSA certified for Canada only (File 252040 class 6225), EAC.
Compliant with standards: IEC/EN/BS 60269-1, IEC 60269-2, IEC/EN/BS 60947-1, IEC/EN/BS 60947-3, UL 4248-1, UL 4248-4, CSA C22.2 n°4248.1, CSA C22.2 n°4248.4.

Fuse holders for photovoltaic applications UL Listed / CSA certified up to 1000VDC



FB01D...

FB01D1PL

Order code	Pole arrangement	Status indicator	DIN size	Qty per pkg	Wt
			n°	n°	[kg]

For 10x38mm fuses.
IEC 32A rated current at 1000VDC.

FB01D1P	1P	—	1	12	0.064
FB01D1PL	1P	YES	1	12	0.065
FB01D2P	2P	—	2	6	0.127
FB01D2PL	2P	YES	2	6	0.130

NOTE: UL Listed and CSA certified as "Photovoltaic fuseholders" for use with Photovoltaic Fuses. Interrupting rating 30,000 DC Amps. Voltage rating 1000V. Current rating 30A.

Operational characteristics

- IEC rated voltage Un: 1000VDC
- IEC rated current In: 32A
- IEC utilisation category: DC20B 1000VDC
- Suitable for IEC fuse class: gPV
- IEC degree of protection: IP20.

Certifications and compliance

Certifications obtained: UL Listed for USA (UL - File E366062) and CSA certified for Canada (File 252040 class 3211), EAC.
Compliant with standards: IEC/EN/BS 60269-1, IEC 60269-2, IEC/EN/BS 60947-1, IEC/EN/BS 60947-3, UL 4248-1, UL 4248-18, CSA C22.2 n° 4248-1, CSA C22.2 n° 4248-18.

Fuses for photovoltaic applications up to 1000VDC



FE01D...

Order code	Rated current In	Qty per pkg	Wt
	[A]	n°	[kg]

10x38mm fuses.
IEC 30kA breaking capacity at 1000VDC.

FE01D00200	2	10	0.008
FE01D00400	4	10	0.008
FE01D00600	6	10	0.008
FE01D00800	8	10	0.008
FE01D01000	10	10	0.008
FE01D01200	12	10	0.008
FE01D01600	16	10	0.008
FE01D02000	20	10	0.008

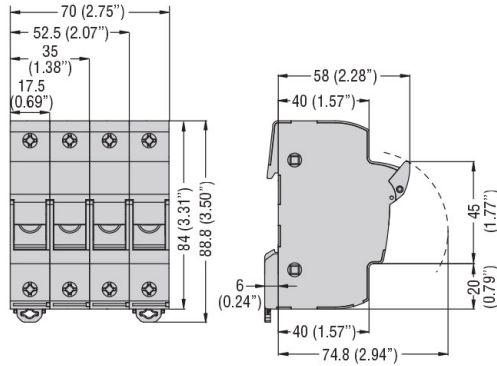
Operational characteristics

- IEC rated voltage Un: 1000VDC
- IEC rated current In: 2...20A
- IEC fuse class: gPV.

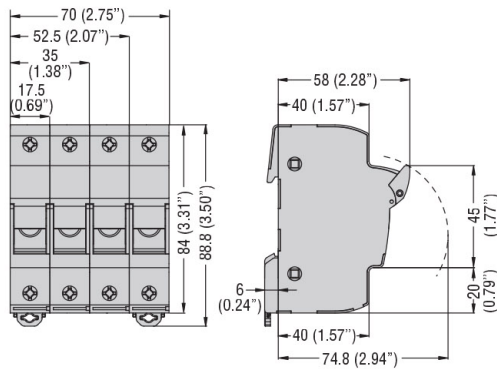
Certifications and compliance

Certifications obtained: EAC.
Compliant with standards: IEC/EN/BS 60269-6.

FB01F... FB01G...

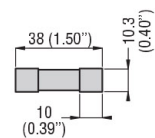


FB01D...

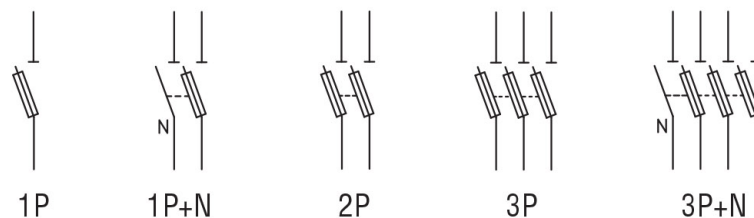


FUSES

FE01D0...



Wiring diagrams



TYPE	FB01F...	FB01B...	FB02A...	FB03A...	FB01G...	FB01D...	FB04D...
Range	AC				Class CC (AC)	DC	DC
IEC maximum rated current In	32A		50A	100A ^①	30A	32A	32A
IEC maximum rated voltage Un	690VAC;	690VAC			600VAC	1000VDC	1500VDC
IEC utilisation category	AC22B 500V; AC21B 690V;			AC21B 690V	AC22B 500V; AC21B 690V	DC20B 1000VDC	DC-PV0 1500VDC
Maximum power dissipation	3W		5W	9.5W	3W	4W	8W
Derating factor of current In for different ambient temperatures	20°C	1					1
	30°C	0.95					0.98
	40°C	0.9					0.94
	50°C	0.8					0.88
	60°C	0.7					0.83
	70°C	0.5					0.75
Derating factor of current In for side-by-side fuse holders - number of poles	1-4	1					-
	5-6	0.8					-
	7-9	0.7					-
	≥10	0.6					-
Voltage for status indicator	120...690VAC		230...690VAC		120...600VAC	350...1000VDC	800...1500VDC
CONNECTIONS							
Maximum tightening torque	1.5Nm / 13.3lb.in		3Nm / 26lb.in	4Nm / 35lb.in	2.5Nm / 22lb.in		2.5Nm / 22lb.in
Maximum conductor cross section	flexible/stranded	1x16mm ² ; 1x6mm ² / 8AWG		1x25mm ² / 6AWG	1x35mm ² / 2AWG	1x16mm ² / 8AWG	1x16mm ² / 8AWG
	rigid/solid	1x16mm ² ; 1x10mm ² / 8AWG		1x35mm ² / 8AWG	1x50mm ² / 1AWG	1x16mm ² / 8AWG	1x16mm ² / 8AWG
AMBIENT CONDITIONS							
Operating temperature	-20...+70°C						
Storage temperature	-40...+80°C						
Maximum altitude	3,000m						
Operation position	Any						
Fixing	On 35mm DIN rail (IEC/EN/BS 60715)						

^① Use with gG/aM class 125A fuses, not dissipating more than 12W power.

TECHNICAL CHARACTERISTICS FOR FE01 D... FUSES

TYPE	Rated current [A]	Power consumption at 0.7 I _n [W]	Power consumption at I _n [W]	Prearcing I ² t [A ² s]	Total I ² t at 1000VDC [A ² s]
FE01 D 00200	2	0.78	1.45	0.62	1
FE01 D 00400	4	0.64	1.57	6.9	11
FE01 D 00600	6	0.76	1.84	24	38
FE01 D 00800	8	0.8	1.92	62	99
FE01 D 01000	10	0.94	2.2	10	48
FE01 D 01200	12	0.98	2.4	18	94
FE01 D 01600	16	1.1	2.7	46	110
FE01 D 02000	20	1.2	2.9	118	282

TIME-CURRENT CHARACTERISTICS FOR FE01 D... FUSES

