

Description:

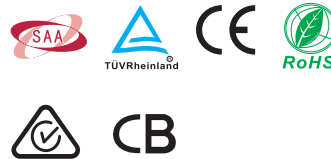
BH-400 DC disconnect switch is designed and developed of solar PV inverter, combiner box or any DC equipments build-in according to UL98B. The DC load break switches provide safety isolation for one DC circuit up to 1500V DC 400A.

Hight Capacity 10KA for 50ms test and patented DC are extinguishing chamber ensure fast disconnection and reliable operation for longer working life.



Features:

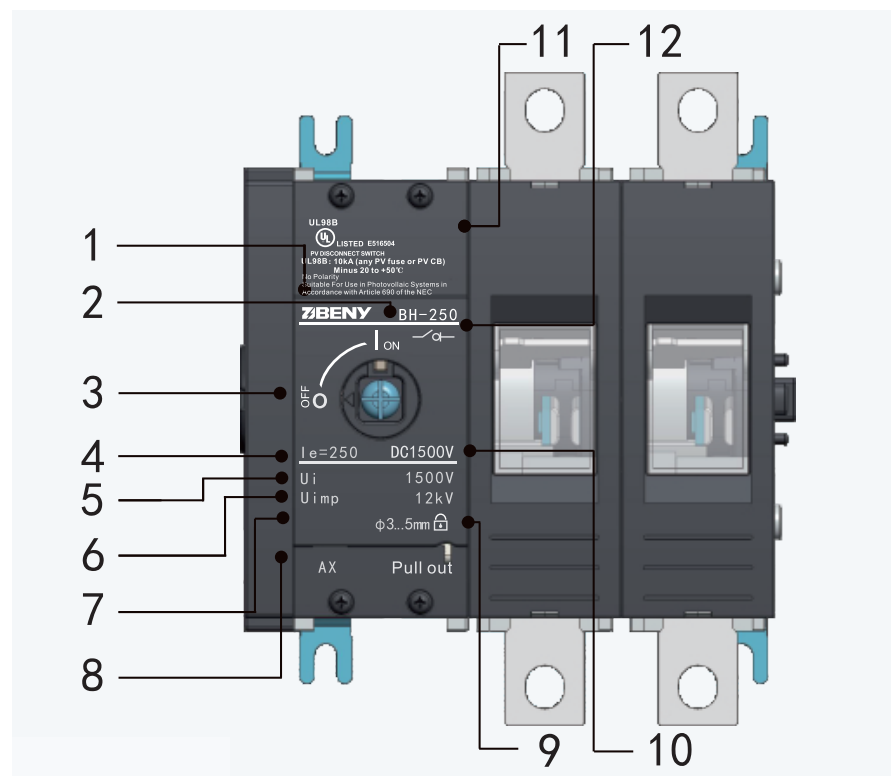
- IP66, UV Resistance
- Arcing Time < 3ms
- Earth Terminal
- IEC60947-3, AS60947.3
- 2 Poles, 4 Poles Available (Single | Double String)
- DC-PV2 / DC-21B: 35A up to 1500VDC



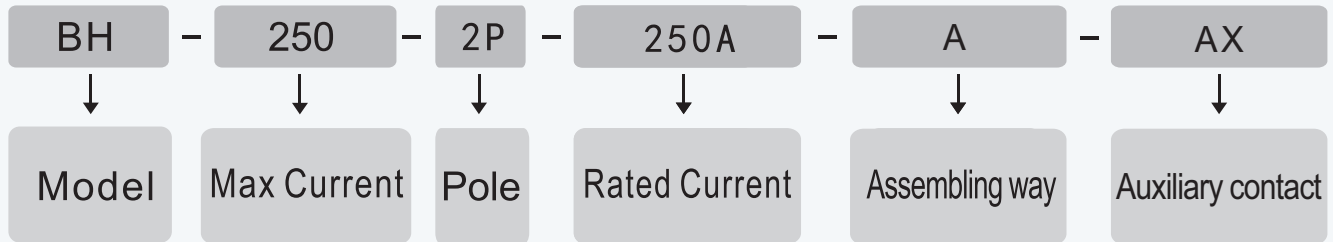
Appearance Introduction

UL98B

- 1 Brand
- 2 Model
- 3 On-Off
- 4 Rated Current
- 5 Nominal Insulation Voltage
- 6 Rated Withstand Voltage
- 7 Utilization Category
- 8 Auxiliary Contact
- 9 Rated Voltage
- 10 Certificate Mark
- 11 Electrical Symbol



Type Instruction



PV DC Isolation Switch	250A	2P	250A	<input type="checkbox"/> Blank <input type="checkbox"/> A <input type="checkbox"/> B	<input type="checkbox"/> without <input type="checkbox"/> with
------------------------	------	----	------	---	---

Parameter


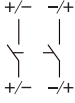
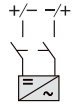
Electrical Characteristics

Rated Working Voltage	Ue	1500V
Rated Current	Ie	250A
Rated impulse withstand voltage	Uimp	12kV
Rated short-time withstand current	Icw	10kA/50ms
Rated short-circuit making capacity	Icm	10kA/50ms
Rated conditional short-circuit current(kA)		10kA

Installation Environment

Number of cycles of operation(With current)	400
Number of cycles of operation(Without current)	400
Pole	2
Mounting	Base Screws Mounting
Screws for mounting(M5)	2.0~3.0N.m
Wiring Screw(M8)	acc.IEC 60947-1 10~15N.m
Ambient temperature allowed between	-40°C ~ +80°C
Storage temperature allowed between	-40°C ~ +85°C
Relative Humidity	90%
Pollution degree	3
IP rating terminals	IP20
Outside the ark handle	IP65

Wiring Graph

Model	Wiring Graph	Ue rated operational voltage DC Volts	Rated operational current	Poles in series	Number of Strings
BH-250-2P 		1500V	250A	1	1
	Example				
					

Product Types choosing

BH-250-2P	BH-250-2P-A	BH-250-2P-B
Front operating handle	Front operating handle	Side handle
BH-250-2P 	BH-250-2P-A 	BH-250-2P-B 

Switches and accessories

BH-250-2P
Front and side operable products

Coupling square shaft

Handle

Auxiliary contact

Interphase barrier

M8 Nut

M8 Gasket

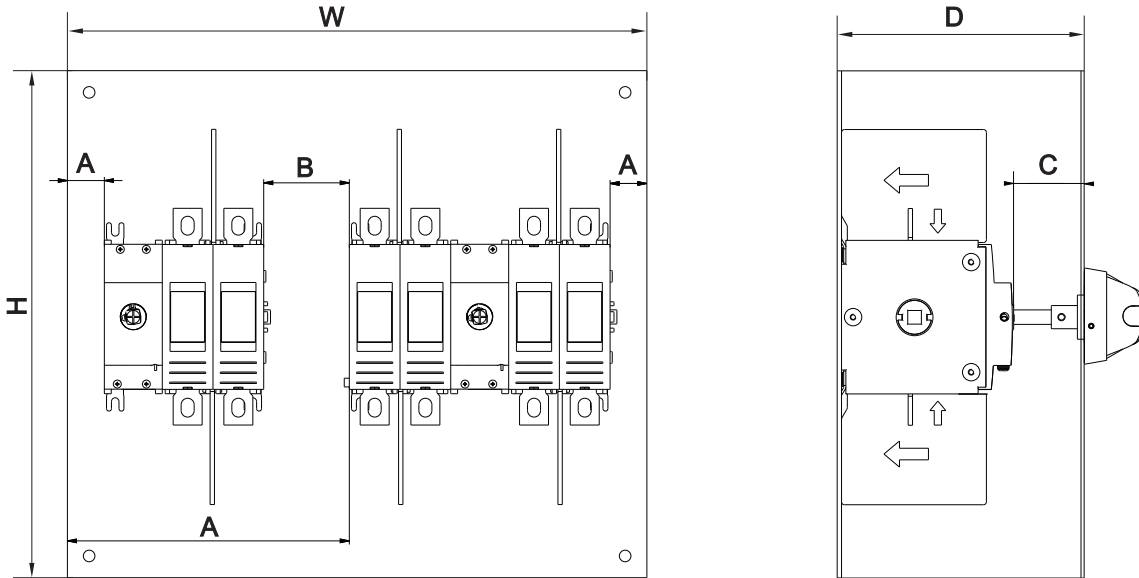
M8 Screw

Accessory

Name	The attachment list
standard configuration	<input checked="" type="checkbox"/> Handle
	<input checked="" type="checkbox"/> Coupling square shaft (The standard length is 182mm)
	<input checked="" type="checkbox"/> Interphase barrier
	<input checked="" type="checkbox"/> M8 Binding kits
	<input checked="" type="checkbox"/> Specification
apolegamy	<input type="checkbox"/> Auxiliary contact
	<input type="checkbox"/> Coupling square shaft Custom length _____ mm

Dimensions (mm)

Minimum enclosure dimensions UL98
 Dimensions minimum des coffrets UL98B
 Dimensiones minimas de las cajas UL98B



Minimum enclosure size	Size
H × W × D	400mm × 350mm × 180mm

Clearance	Size
A min.	25.4mm
B min.	50.8mm
C min.	22mm

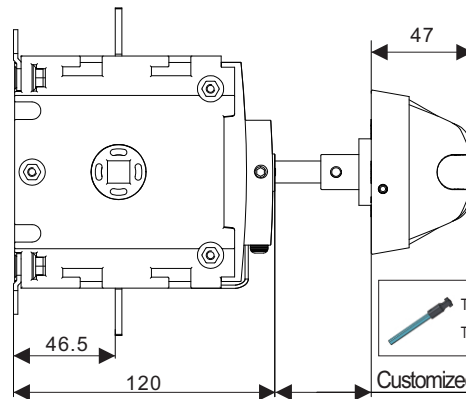
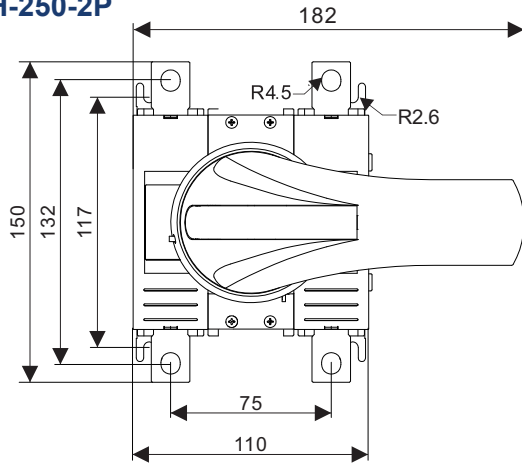



Your Source for Automation Components

1500 Volt, 250Amp, PV DC Isolation Switch BH-250 Series

Dimensions (mm)

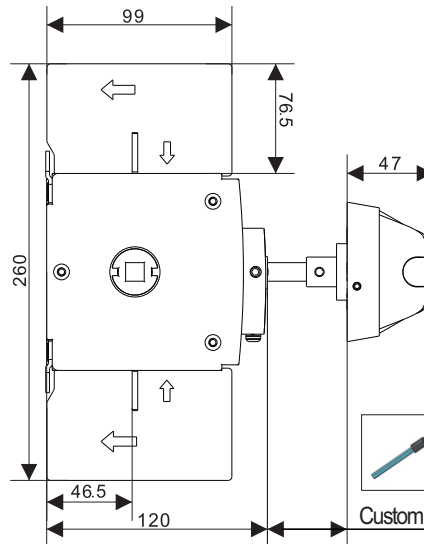
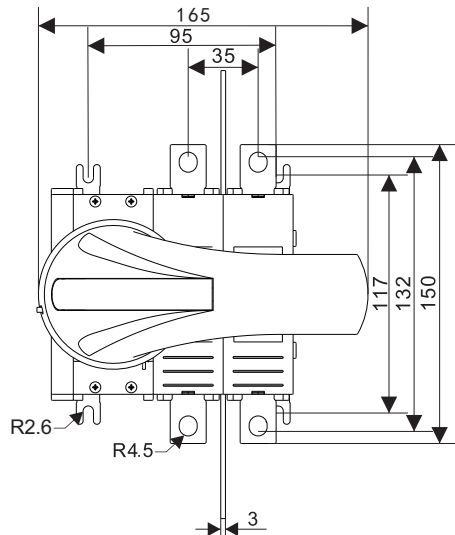
BH-250-2P




 The standard total length of the shaft is 182mm
The minimum total length of the shaft is 80mm

Customized from 25mm to 300mm

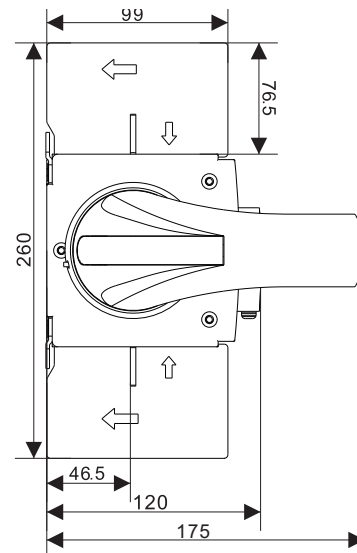
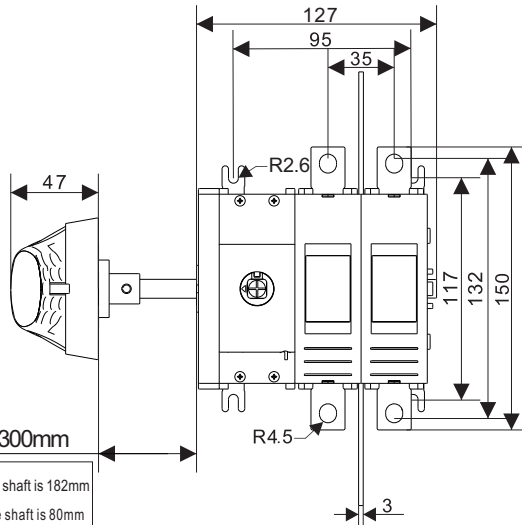
BH-250-2P-A




 The standard total length of the shaft is 182mm
The minimum total length of the shaft is 80mm

Customized from 25mm to 300mm

BH-250-2P-B



Customized from 25mm to 300mm

 The standard total length of the shaft is 182mm
The minimum total length of the shaft is 80mm

Derating Data

Derating Temperature

Type	Tem Current	-40°C ~ +55°C	+60°C	+65°C	+70°C	+75°C	+80°C
		BH-250	(DC-PV2)	245A	237.5A	230A	225A

Derating Altitude

Altitude	2000m	3000m	4000m	5000m
Power frequency withstand voltage	3820VDC	3820VDC	3820VDC	3820VDC
Isolation voltage	1500VDC	1500VDC	1500VDC	1500VDC
Working current	250A	250A	237.5A	230A
Working voltage	N/A			

Installation and use

Rated current (A)	250A
Section area of copper row mm ²	120mm ²

WARNING Verify that all connections (including bridging link connections) are suitable for the rated current, prepared to ensure only conductive parts are clamped and tightened to the manufacturers required torque before energization.