

## Common Mode DC Surge Protective Device for PV

The SP series of modular SPDs is DIN rail mountable, based on patented MOV technology, providing advanced surge protection. The devices are UL Recognized and KEMA certified. The SPD base is designed to be mounted on 35mm DIN rail while plugs are easily replaceable. The SPD has a patented thermal disconnecter design with an extinguishing device, which gives a quick thermal response and device cutoff.

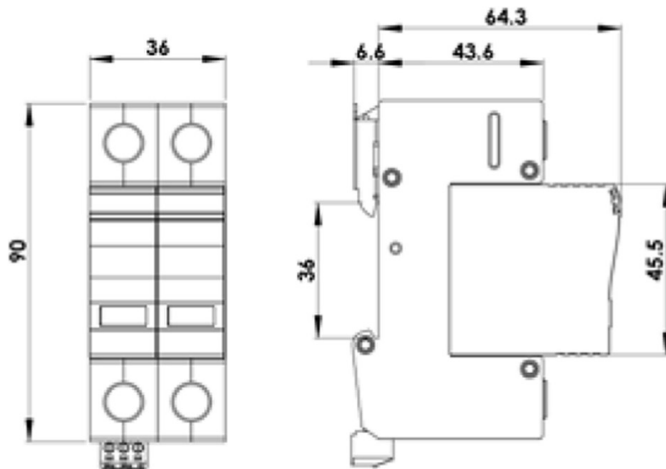
- DIN rail mountable and ease of installation
- Innovative thermally protected MOV technology (Patent)
- Quick thermal response self-protected design with internal arc extinguishing
- Visual indicator
- Maximum discharge current of 50 kA
- Meet all requirements of UL 1449 4th Edition, IEC61643-11
- Remote indicator, Form C
- In of 20 kA

## Technical Data

TYPE	ASISPV500-V-C-S	ASISPV600-V-C-S
<b>Standards</b>	UL 1449 4 <sup>th</sup> Edition, IEC61641-11:2011	
<b>Category UL/IEC</b>	Type 1CA for use in Type 1, 2, and 3 Applications/Class C (II)	
<b>Protection Mode</b>	Common Mode	
<b>Nominal Voltage</b>	500 V	600 V
<b>Max. Continuous Operating Voltage</b>	560 V	670 V
<b>SCCR Rating</b>	100 kA	50 kA
<b>Nominal Discharge Current (8/20) In</b>	20 kA	
<b>Max. Discharge Current (8/20) I<sub>max</sub></b>	50 kA	
<b>Response Time</b>	≤ 25 ns	
<b>Operating Temperature Range</b>	-40°C...+80°C	
<b>Operating Humidity Range</b>	0–90%	
<b>Dimensions</b>	90 mm (D), 36 mm (W), 66 mm (H)	
<b>Max. Size of Connecting Wire</b>	Single-Strand 35 mm <sup>2</sup> (or #2 AWG), Multi-Strand 25 mm <sup>2</sup> (or #4 AWG)	
<b>Mounting</b>	35 mm DIN Rail in accordance with EN50022/DIN 46277-3	
<b>Enclosure Material</b>	Thermoplastic, UL 94 V-0	
<b>Degree of Protection</b>	IP20	
<b>Installation Width</b>	2 Modules, DIN 43880	
<b>Visual Indicator</b>	Window: Green-OK, Red-Replace	
<b>Remote Alarm Contact</b>	1 Form C	
<b>ADDITIONAL</b>		
<b>Remote Alarm Contact Type</b>	Isolated Form C	
<b>Switching Capability UN/IN</b>	AC: 250 V/0.5A, DC: 250 V/0.1A, 125 V/0.2A, 75 V/0.5A	
<b>Max. Size of Connecting Wire</b>	Max. 1.5 mm <sup>2</sup> (or #16 AWG)	



### Dimensions



### Basic Circuit Diagram

