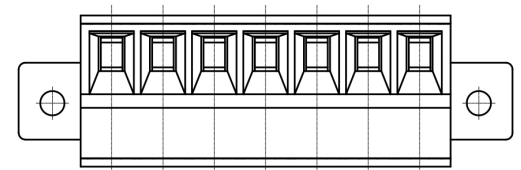
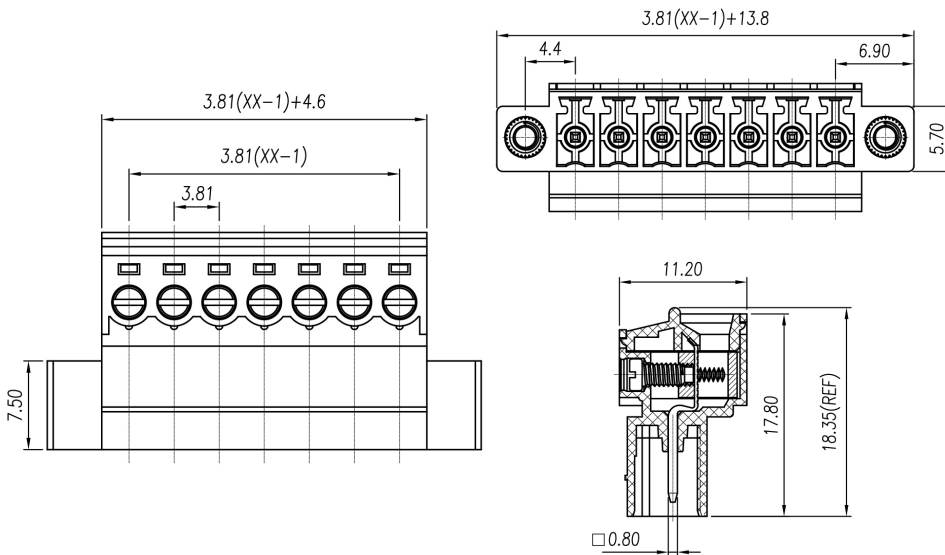


PCB Terminal Blocks Inverted Plug, Wire to Wire Horizontal Entry, Screw Clamp with Screw Lock ASIWJ15EDGKRN-3.81



Certification	
Material	
Screw	M2.0 Steel, Tin Plated
Lock Nut	M2.5, Brass
Pin/Plate	Brass, Tin Plated
Cage	Brass, Nickel Plated
Housing	PA66, UL 94V-0, Green
Electrical	
Standard	UL 1059/CSA C22.2 No. 158
Rated Voltage	300 V
Rated Current	8 A
Wire Range	28-16 AWG
Contact Resistance	20mΩ
Insulation Resistance	500MΩ/500 Vdc
Withstand Voltage	2000 Vac/1 Min
Mechanical	
Temperature Range	-40°C...+105°C
Torque	0.2N-m (1.8lb-in)
Strip Length	7-8 mm (0.28-0.31")
Size	
Pitch	3.81 mm (.150")
Poles	2P-16P. Additional sizes available on request.

Item	No. of Poles	Length (mm)
ASIWJ15EDGKRN-3.81-2P	2	17.61
ASIWJ15EDGKRN-3.81-3P	3	21.42
ASIWJ15EDGKRN-3.81-4P	4	25.23
ASIWJ15EDGKRN-3.81-5P	5	29.04
ASIWJ15EDGKRN-3.81-6P	6	32.85
ASIWJ15EDGKRN-3.81-7P	7	36.66
ASIWJ15EDGKRN-3.81-8P	8	40.47
ASIWJ15EDGKRN-3.81-9P	9	44.28
ASIWJ15EDGKRN-3.81-10P	10	48.09
ASIWJ15EDGKRN-3.81-11P	11	51.09
ASIWJ15EDGKRN-3.81-12P	12	55.71
ASIWJ15EDGKRN-3.81-13P	13	59.52
ASIWJ15EDGKRN-3.81-14P	14	63.33
ASIWJ15EDGKRN-3.81-15P	15	67.14
ASIWJ15EDGKRN-3.81-16P	16	70.95