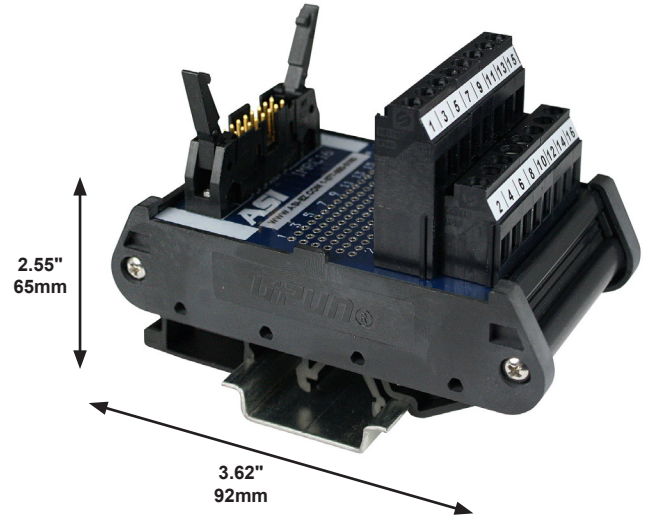


## IMRC Ribbon Cable Interface Modules

The IMRC Series of standard interface modules provides an easy means to transition from industry standard high density ribbon cable connectors to individually wired terminal blocks. The IMRC Series are equipped with a series of plated through holes which allow the user to easily add electronic components to a circuit. Fixed or pluggable terminal blocks are available with IMRC modules, providing yet another degree of flexibility. **ASI** can also assist with the design and manufacturing of modified products.



SPECIFICATIONS		WIRE RANGE	CURRENT	VOLTAGE
Capacity		26 - 12 AWG	2 A	120 VAC

ORDERING INFORMATION		FIXED RIBBON CABLE MODULE		
Ribbon cable to terminal block modules		TYPE	CATALOG No.	LENGTH
	10 pin	IMRC 10	10000	1.80" (45.7mm)
	14 pin	IMRC 14	10001	2.00" (50.8mm)
	16 pin	IMRC 16	10002	2.10" (53.3mm)
	20 pin	IMRC 20	10003	2.39" (60.7mm)
	26 pin	IMRC 26	10004	2.99" (76.0mm)
	34 pin	IMRC 34	10005	3.79" (96.3mm)
	40 pin	IMRC 40	10006	4.39" (111.5mm)
	50 pin	IMRC 50	10007	5.39" (136.8mm)
	60 pin	IMRC 60	10008	6.39" (162.3mm)
	64 pin	IMRC 64	10009	6.79" (172.5mm)

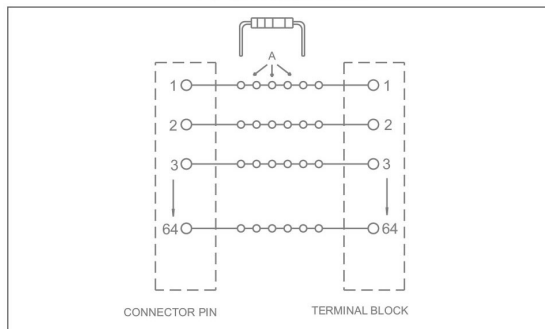
  

ACCESSORIES		TYPE	CATALOG No.	Pcs/Pkg
Panel mounting ears		ET-PME	20373	10

End stop width .31" (8mm) universal		BTU	ASIUD1B	2
DIN Rail (1 meter length)		PR/3/AC	PR003-1M	2
non-slotted symmetrical 35mm x 7.5mm		PR/3/AS	PR005-1M	2
slotted symmetrical 35mm x 7.5mm		PR/3/PP	PR007-1M	2
non-slotted symmetrical 35mm x 15mm		PR/3/PA	PR006-1M	2
slotted symmetrical 35mm x 15mm				

TYPICAL SCHEMATIC



Component mounting holes located on each trace at 0.1" centers allow customers to insert components in parallel or series. To place a component in series customer removes trace (A) between component mounting holes under added component. The traces are located on the bottom side of the printed circuit board.